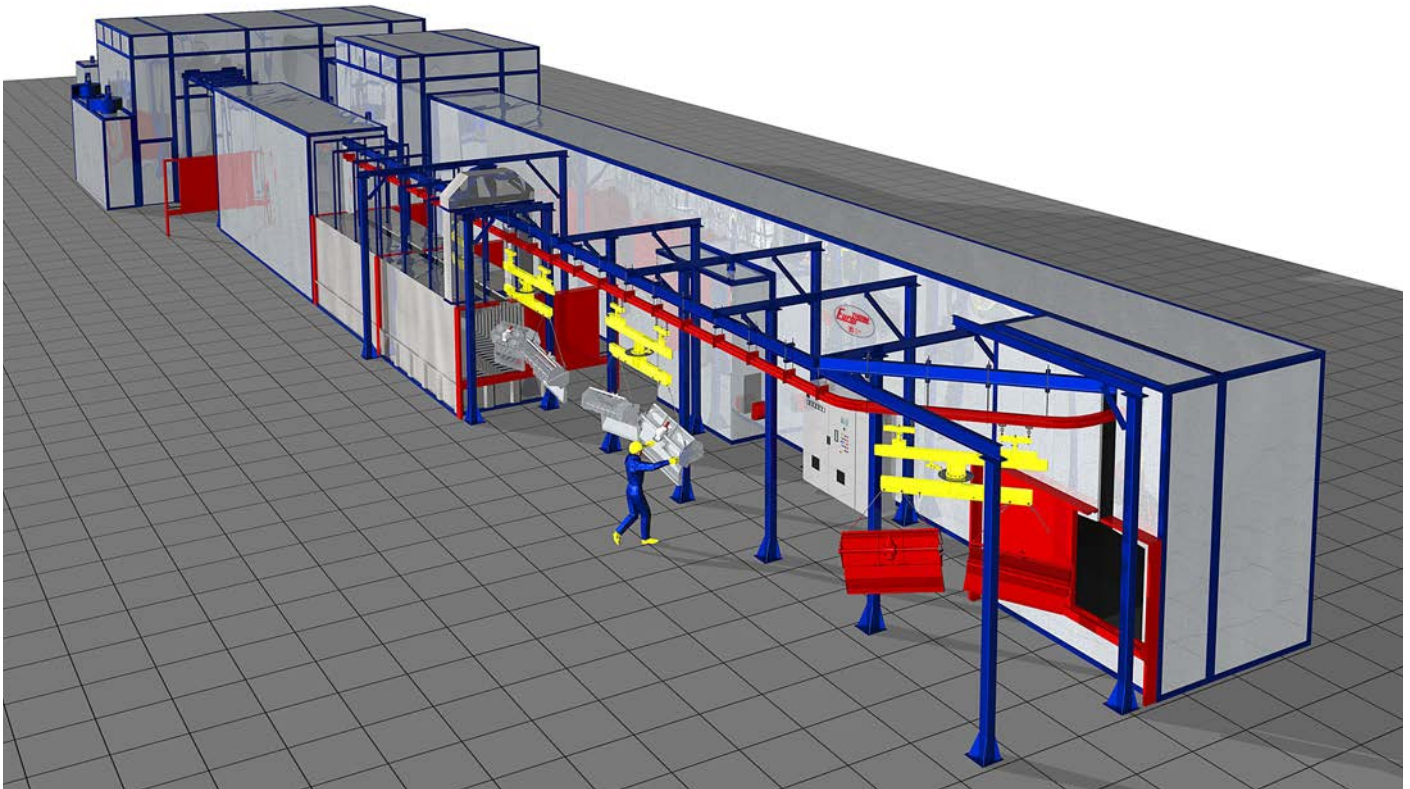


## MANUAL LIQUID SPRAY PAINTING LINE WITH STEP FEED



Manual spray painting line with power handling of processed parts  
Suitable for painting from medium to big size parts



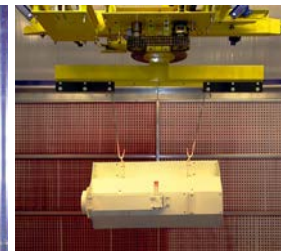
Step line



Washing tunnel



Curing tunnel



Painting booth



Loading station

### OPTIONAL ACCESSORIES

- Different loads and pace of overhead conveyor
- Additional phases in the washing tunnel
- Painting booth with water veil filtration
- Additional painting booths
- Electric and mechanical assembly
- Diesel oil burner

### NOTES

Standard step spray line includes:

- Power conveyor with automatic feed
- Automatic multiphase washing tunnel
- Drying oven
- 1<sup>st</sup> painting booth with dry filtration
- 1<sup>st</sup> flash off tunnel
- 2<sup>nd</sup> painting booth with dry filtration
- 2<sup>nd</sup> flash off tunnel
- Curing tunnel

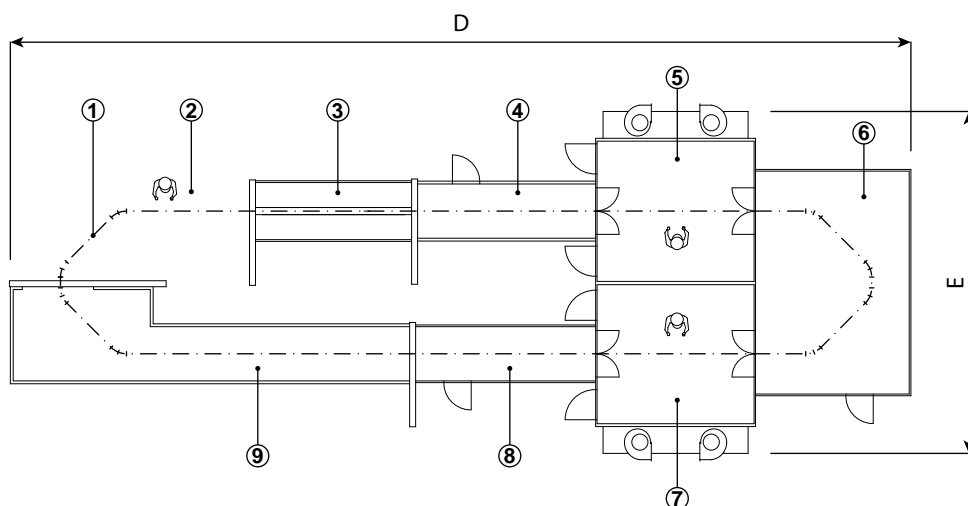
Construction: overhead conveyor, drying tunnel, curing oven and painting booths, made of galvanized steel sheet; washing tunnel made of stainless steel; frame made of painted steel

Oven insulation made of mineral wool, thickness 80mm, density 100 kg/m<sup>3</sup>, max. temperature 100°C

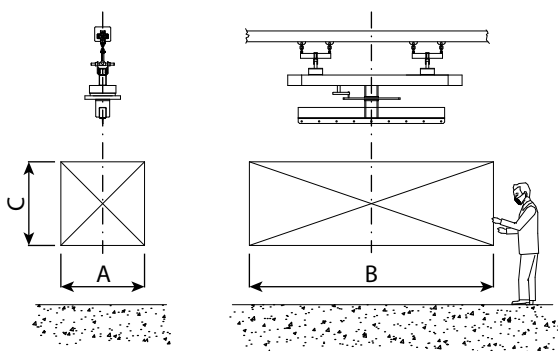
Methane or LPG burners

Supplied as assembly kit

Technical data and dimensions are given as indication and can be changed according to specific customer's requirements



**USEFUL DIMENSIONS OF PARTS**



- ① AUTOMATIC OVERHEAD CONVEYOR
- ② LOADING AND UNLOADING STATION
- ③ WASHING TUNNEL
- ④ DRYING TUNNEL
- ⑤ MANUAL PAINTING BOOTH WITH ROTATING SYSTEM
- ⑥ FLASH-OFF TUNNEL
- ⑦ MANUAL PAINTING BOOTH WITH ROTATING SYSTEM
- ⑧ FLASH-OFF TUNNEL
- ⑨ CURING OVEN

**DESCRIPTION OF EQUIPMENT**

Model	Useful dimensions			Outside dimensions		
	A	B	C	D	E	H max
Euro MAN LAP	1.200	3.500	1.200	32.000	12.000	6.000

**TECHNICAL DATA**

Model	Overhead conveyor speed	Load of overhead conveyor	Total electric power	Total heat power	Burners	Air and fumes extraction chimneys
	meter/min	kg/m	kW	kCal/h	nb	nb
Euro MAN LAP	0	0	0	0	3	5