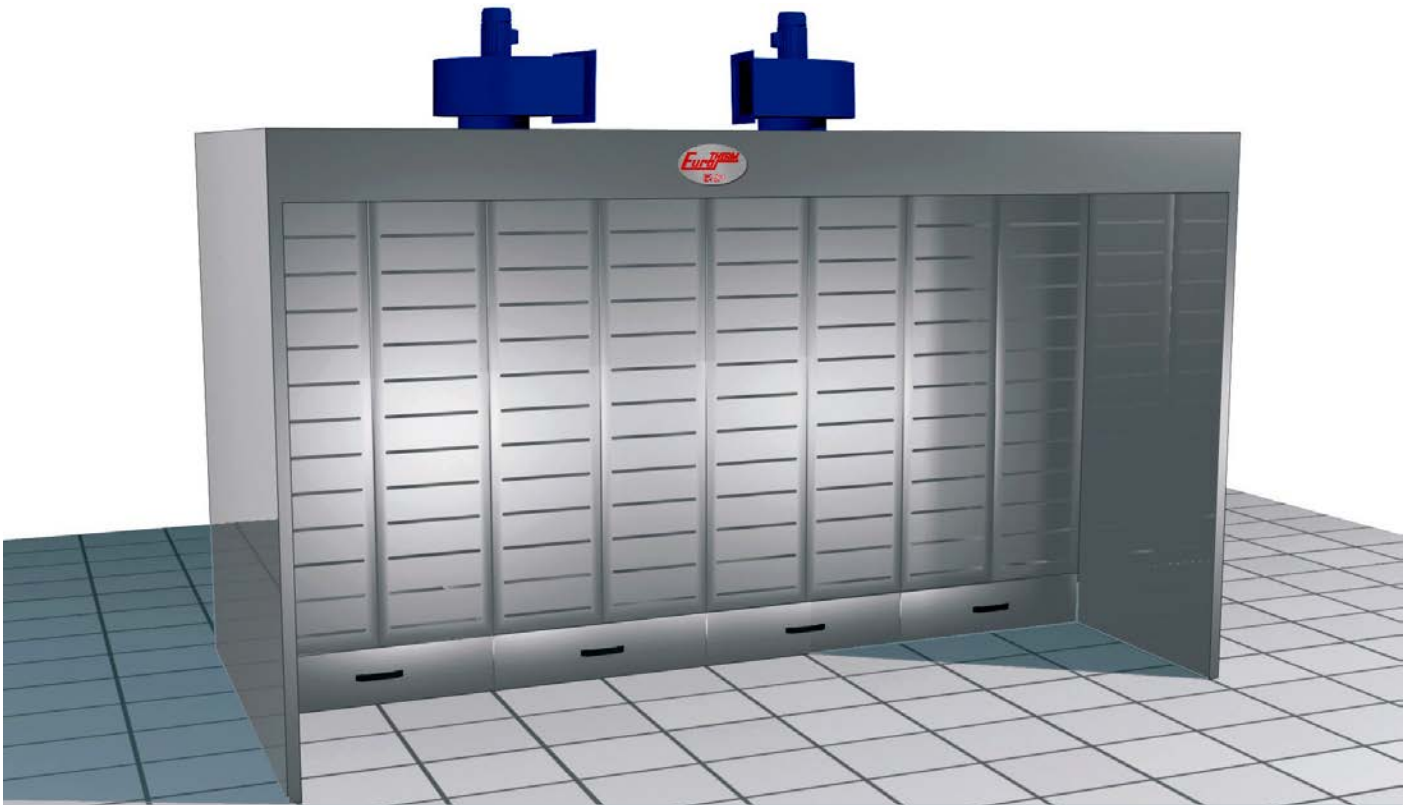


## MANUAL POWDER PAINTING BOOTHS



Range with cyclic sequencer for automatic cleaning of filter cartridges  
and safety differential pressure switch with filter obstruction signal



Standard extraction wall



Walls and roof extension



Sequencer



Booth lighting



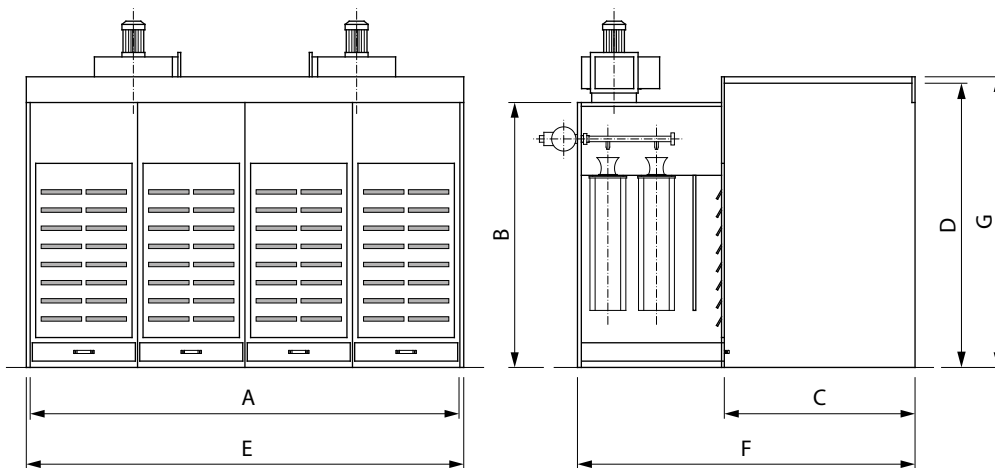
Powder coating

### OPTIONAL ACCESSORIES

- Extraction ducts with silencers
- Extension of sidewalls and roof with 2000 mm multiple modules
- Neon light IP 65, 1500 mm length with 2 x 58 W neon lamps
- Electric control board CE
- Socket for powder gun
- Painted extraction wall

### NOTES

- Polyester filter cartridges
- Supplied as assembly kit
- Construction of extraction wall of galvanized steel sheet, sidewalls and roof of isolated sandwich panels
- Technical characteristics and dimensions are given as indication and can be changed according to specific customer's requirements



### DESCRIPTION OF EQUIPMENT

Model	Useful dimensions				Overall dimensions		
	A	B	C	D	E	F	G
Euro PM 2	2.000	2.600	2.000	3.000	2.100	3.300	3.100
Euro PM 2,5	2.500	2.600	2.000	3.000	2.600	3.300	3.100
Euro PM 3	3.000	2.600	2.000	3.000	3.100	3.300	3.100
Euro PM 3,5	3.500	2.600	2.000	3.000	3.600	3.300	3.100
Euro PM 4	4.000	2.600	2.000	3.000	4.100	3.300	3.100
Euro PM 4,5	4.500	2.600	2.000	3.000	4.600	3.300	3.100
Euro PM 5	5.000	2.600	2.000	3.000	5.100	3.300	3.100

### TECHNICAL DATA

Model	Air capacity	Fans	Electrical power	Filtering area	Filtering cartridges	Power tank volume
	m <sup>3</sup> /h	nb.	kW	m <sup>2</sup>	nb.	liters
Euro PM 2	10.800	1	7,5	187	10	120
Euro PM 2,5	13.500	1	7,5	225	12	150
Euro PM 3	16.200	1	11	262	14	180
Euro PM 3,5	18.900	1	15	300	16	210
Euro PM 4	21.600	1	15	375	20	240
Euro PM 4,5	24.300	2	7,5	412	22	270
Euro PM 5	27.000	2	7,5	450	24	300