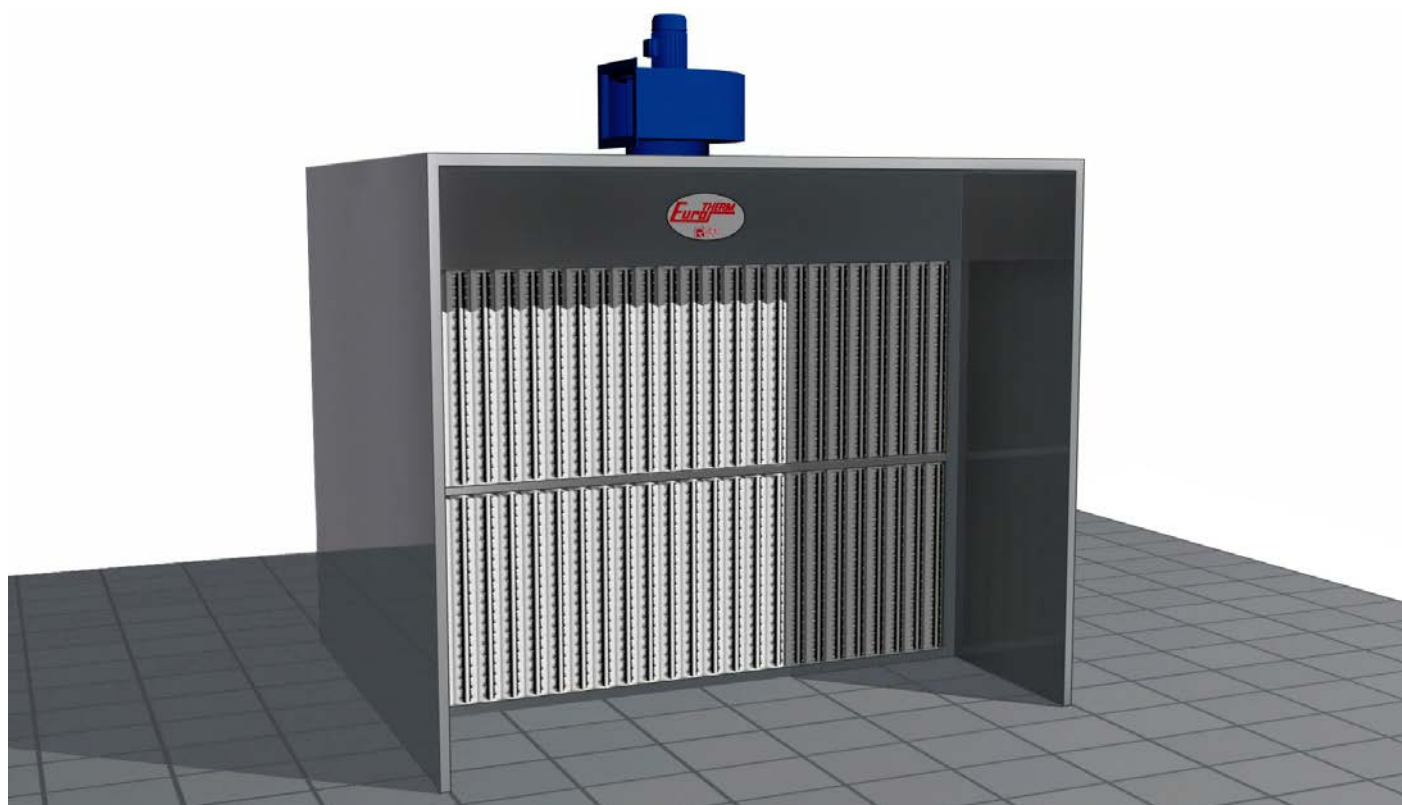


PAINTING BOOTHS WITH DRY FILTRATION



Professional grade with activated charcoal filtering as standard



Standard extraction wall



Sidewalls and roof extension



For large components



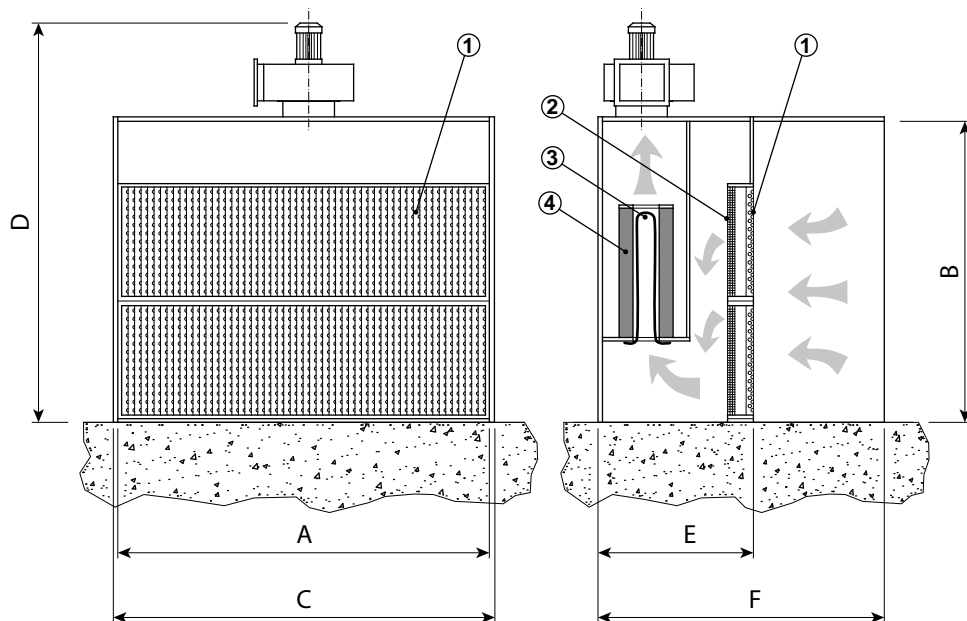
Activated charcoal cartridges

OPTIONAL ACCESSORIES

- Extraction ducts with silencers
- Extension of sidewalls and roof with 1000mm module
- Neon light IP 65, 1500 mm length with 2 x 58 W neon lamps
- Electric control board CE CRAM
- Wall holding device for spray gun with automatic fan switch-off
- Painted extraction wall

NOTES

- Spark proof fan
- Second filtration with polyester filters
- Final filtering with activated charcoal cartridges
- Differential manometer for indicating filter replacement
- Supplied as assembly kit
- Construction of extraction wall of galvanized steel sheet
- Technical characteristics and dimensions are given as indication and can be changed for improvement or update without notice



- ① FILTER PAPER
- ② POLYESTER FILTERS
- ③ FILTER SOCK
- ④ ACTIVATED CHARCOAL CARTRIDGES

DESCRIPTION OF EQUIPMENT

Model	Useful dimensions		Overall dimensions			
	A	B	C	D	E	F
Eurodry 1,5 CA	1.500	2.186	1.580	3.009	1.280	2.280
Eurodry 2 CA	2.000	2.186	2.080	3.009	1.280	2.280
Eurodry 2,5 CA	2.500	2.186	2.580	3.056	1.280	2.280
Eurodry 3 CA	3.000	2.186	3.080	3.056	1.280	2.280
Eurodry 4 CA	4.000	2.186	4.080	3.009	1.280	2.280
Eurodry 5 CA	5.000	2.186	5.080	3.056	1.280	2.280

TECHNICAL DATA

Model	Air capacity	Fans	Electrical power	Second filtration filters	Activated charcoal cartridges
	m ³ /h	nb	kW	nb	nb
Eurodry 1,5 CA	6.000	1	2,2	6	3
Eurodry 2 CA	8.000	1	2,2	8	4
Eurodry 2,5 CA	10.000	1	3	10	5
Eurodry 3 CA	12.000	1	4	12	6
Eurodry 4 CA	16.000	2	2,2 + 2,2	16	8
Eurodry 5 CA	20.000	2	3 + 3	20	10