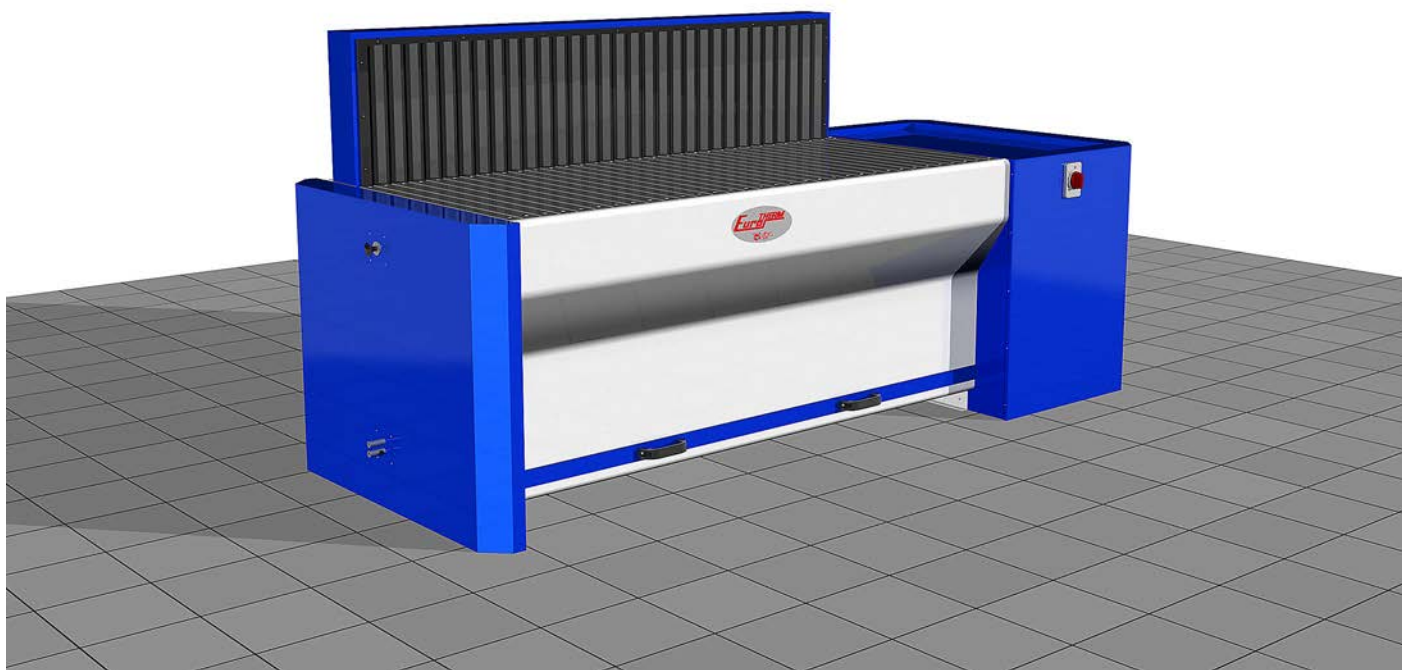


## DOWNDRAFT TABLES



“Downdraft table with underpressure”  
“Manual compressed air filter cleaning system”



galvanized sheet version



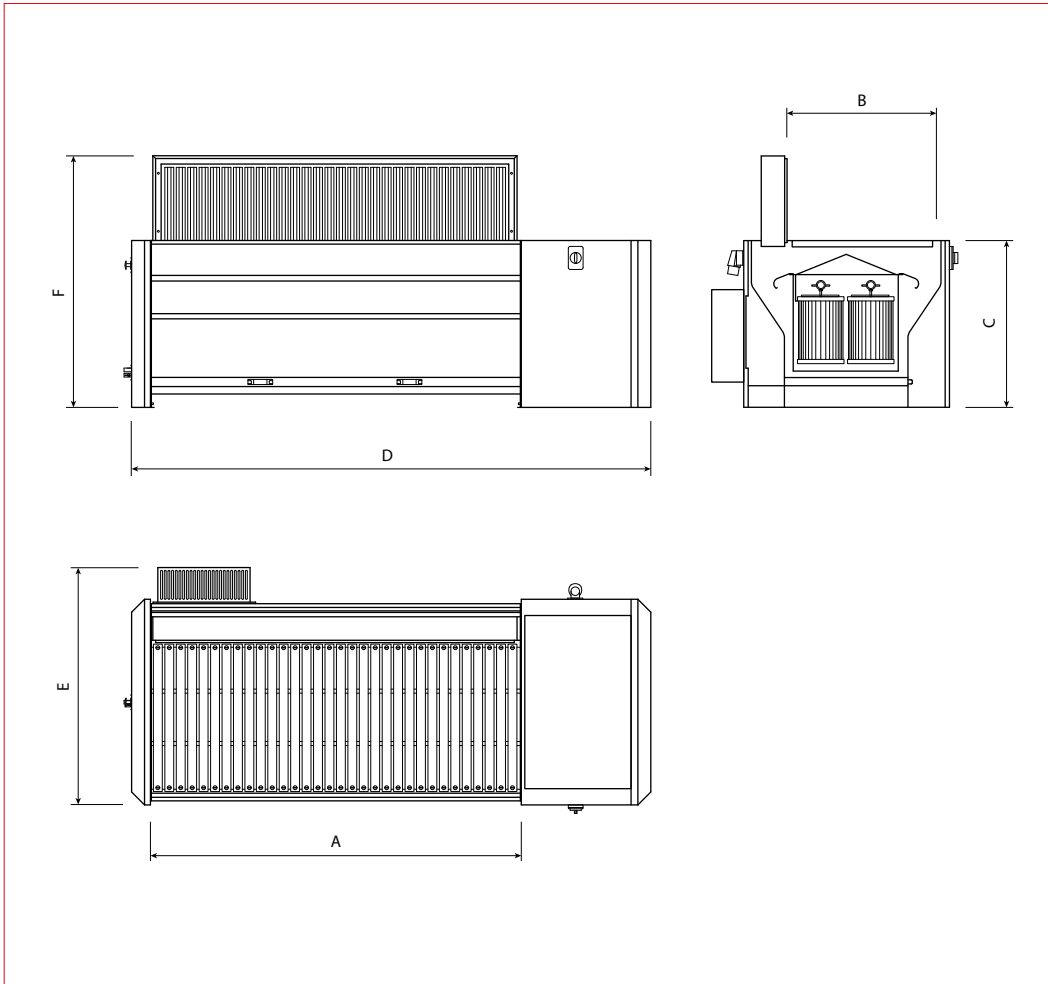
painted version with lamp and  
felt and wood table top

### OPTIONS

- Painting
- Extraction wall with lamp
- Non extracting side wall
- Felt and wooden table top
- Programming device for cyclic cleaning of filters with Compressed air

### NOTES

- Shipment as assembled unit
- Technical data and dimensions are indicative and may be changed without notice for improvements or update



### DESCRIPTION OF EQUIPMENT

Model	Dimension of table top			External dimensions		
	A	B	C	D	E	F
Euro BC1,5	1500	810	905	2314	1291	1365
Euro BC2	2000	810	905	2814	1291	1365
Euro BC2,5	2500	810	905	3314	1291	1365

### TECHNICAL DATA

Model	Electric power	Air flow ratio	Filter surface	Filter cartridges
	kW	m <sup>3</sup> /h	m <sup>2</sup>	n°
Euro BC1,5	3	4000	29	4
Euro BC2	3	4500	44	6
Euro BC2,5	3	5000	58	8