

## TWO STAGES WASHING MACHINES



Range for automatic parts washers multi stage with hot water and bio-degradable detergent  
With revolving basket, vertical charging and electric heating, max temperature of bath 70°C



Standard version



Basket carriage



With electric drying option



Inner revolving basket

### OPTIONALS

- Electric drying (3kW)
- Carriage for basket handling
- Vapor extraction
- Automatic tank refilling
- Oil skimmer (24V)
- Hour meter
- Weekly programming unit
- Drain pump

### NOTES

Optionals included: low water level shut-off, external insulation, water circuit and basket in stainless steel, motorized basket

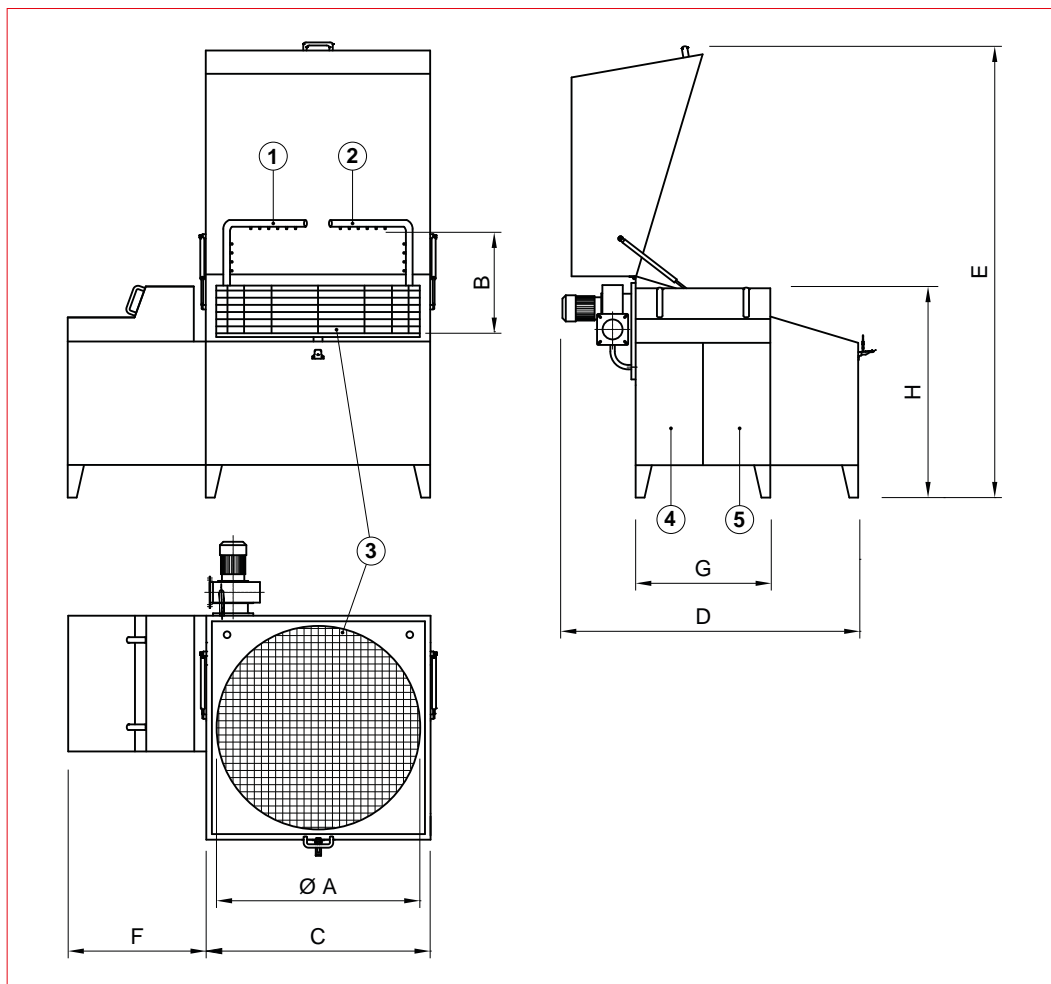
Standard version includes:

- 1<sup>st</sup> phase degreasing
- 2<sup>nd</sup> phase rinsing

Structure of stainless steel

Supplied as assembled unit

Technical data and dimensions are not binding and can be changed without notice



- ① DEGREASING NOZZLES
- ② RINSE NOZZLES
- ③ REVOLVING BASKET
- ④ DEGREASING TANK
- ⑤ RINSE TANK

### DESCRIPTION OF EQUIPMENT

Model	Useful basket dimensions		Outer dimensions					
	Ø A	B	C	D	E	F	G	H
Euro LSBCA1	910	430	1.230	1.295	1.990	750	650	950
Euro LSBCA2	1.150	630	1.490	1.750	2.260	750	650	950

### TECHNICAL DATA

Model	Max. basket load	Degreasing pool capacity	Rinse pool capacity	Degreasing pump electric power	Rinse pump electric power	Flow ratio degreasing pump	Flow ratio rinse pump	Degreasing pump pressure	Rinse pump pressure	Electric power degreasing pool	Electric power rinse pool	Temperature adjustment	Time adjustment	Total electric power	Weight
	kg	liter	liter	kW	kW	l/m	l/m	bar	bar	kW	kW	°C	min.	kW	kg
Euro LSBCA1	200	130	85	0,9	0,75	88	80	2,5	2,4	6	4	0÷70°	0÷60'	12	200
Euro LSBCA2	350	200	95	1,5	0,9	170	88	5,3	2,4	10	4	0÷70°	0÷60'	16,5	300